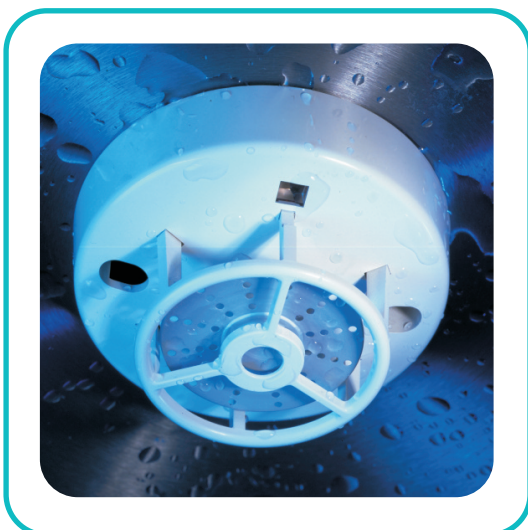
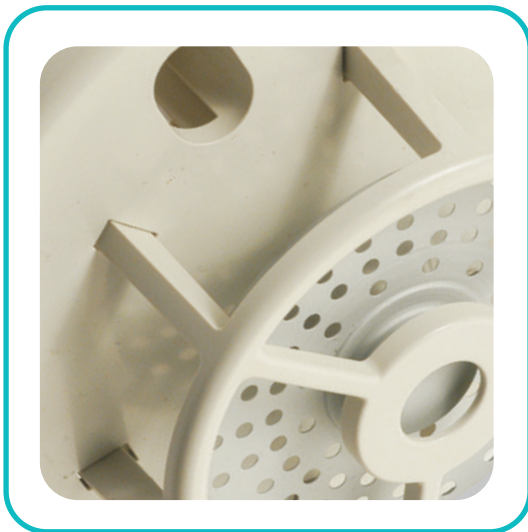


WATERPROOF HEAT DETECTOR

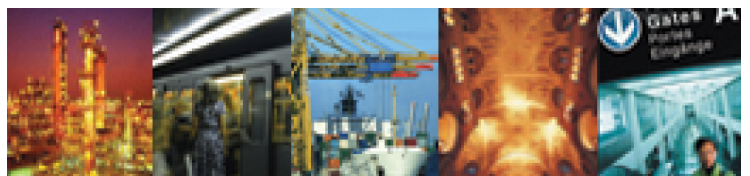


Model DFG-60BLKJ is a 60°C Fixed Temperature Waterproof Heat Detector, the detector uses a bi-metallic strip to sense temperature change, therefore consuming minimal standby current and providing high reliability.

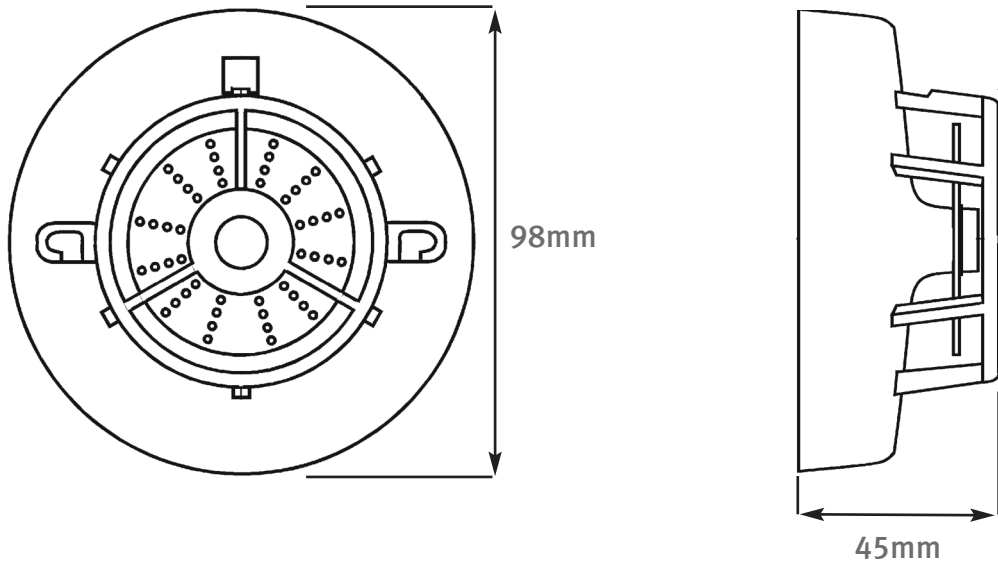
The DFG-60BLKJ is particularly suited to environments, which are exposed to high levels of condensation or are hosed down. The detector has a wide operating margin allowing it to respond to both slow and fast increases in temperature, it can also sense temperature reliably in a horizontal or vertical position.

The DFG-60BLKJ requires no mounting base as short flying leads are provided for connection to the conventional zone and remote LED.

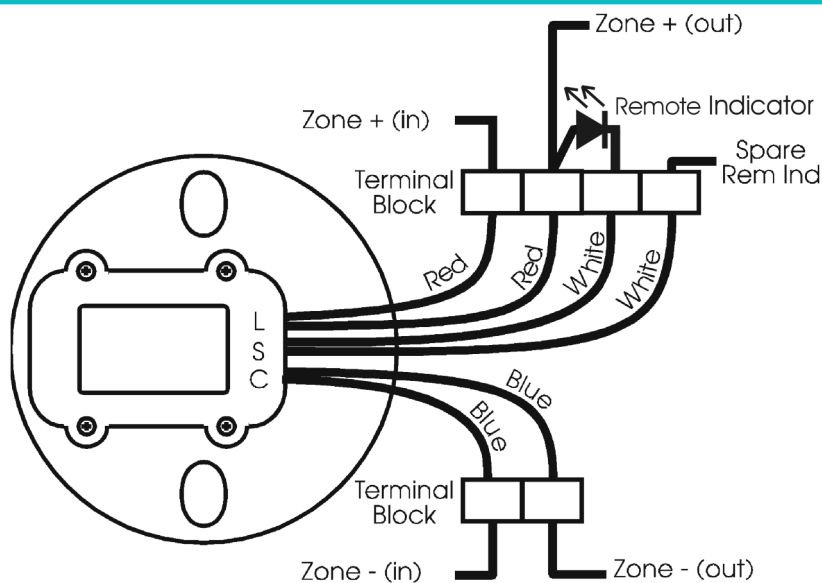
- ▶ Waterproof design - rated to IP67
- ▶ Low profile shape
- ▶ Utilises a bi-metallic strip to sense temperature change
- ▶ No mounting base required
- ▶ Minimal standby current
- ▶ Approved by LPCB & VdS



DIMENSIONS



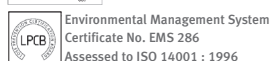
WIRING



SPECIFICATION

Ordering Code	DFG-60BLKJ (DFG-BLKJ)
Operating Voltage	15 - 30 V dc (Nominal rating 24 V dc)
Quiescent Current (typ)	Minimal
Maximum Current in Alarm	50 mA at 24 Vd c
Operating Temperature Range	-10°C to +40°C
Storage Temperature Range	-30°C to +70°C
Ingress Protection Rating	IP67
Colour / Case Material	Ivory / Modified Polycarbonate
Weight (g)	80
Fixing Centres (mm)	70
Approvals	LPCB EN54:2000 Part 5 VdS EN54:2000 Part 5 (G204048)

HOCHIKI EUROPE (UK) LIMITED
 Grosvenor Road, Gillingham Business Park,
 Gillingham, Kent, England ME8 0SA
 Telephone: +44 (0)1634 260133
 Facsimile: +44 (0)1634 260132
 e-mail (UK): sales@hochikieurope.com
 e-mail (Non UK): export@hochikieurope.com
 www.hochikieurope.com



Hochiki Europe (UK) Ltd. reserves the right to alter the specification of its products from time to time without notice. Although every effort has been made to ensure the accuracy of the information contained in this document it is not warranted or represented by Hochiki Europe (UK) Ltd. to be a complete and up-to-date description.

PART No. 9-5-0-246/ISS3/JUN12