

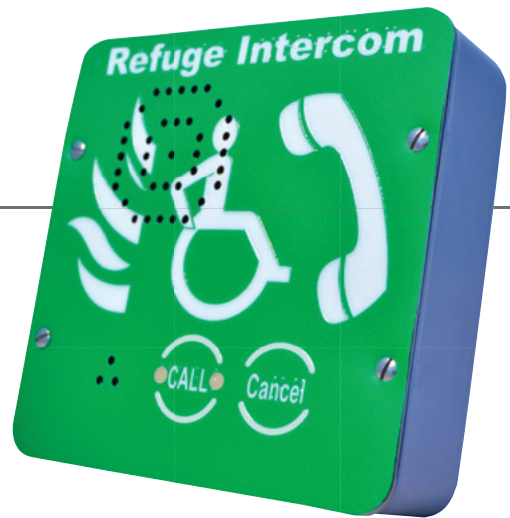
Emergency Voice Communication Systems (EVCS)

EVCS Type B Outstation

The EVCS Type B Outstation is designed to fully comply with BS5839 for use as a Fire Telephone system, Disabled Refuge Call system or as a combined system when both Fire Telephones and Disabled Refuge Points are required.

The Type B Outstation is designed to be versatile, compact and easy to use Refuge Call Point. This unit can be surface mounted using a simple to install bezel.

When choosing the Outstation Type for use with an EVCS we recommend reading Section 11 of BS5839-9:2003 which deals with Outstation Types. Type B Outstations can only be used where the background noise is below 40dBA (therefore there can be no sounder or Voice Alarm coverage in the area).



Key Features

- Compact design
- Available in Red, Green and Stainless Steel finishes
- Loop output for hearing impaired users
- Tactile braille signage to assist partially sighted people to easily operate Refuge Point
- Full duplex operation, allowing 2 way voice communication
- High volume ringer
- Status LED
- Flush bezel available
- Versatility, the unit can be used on all the EVCS systems

Technical Specifications

Code:	EVCS-HSBG	EVCS-HSB	EVCS-HSFSS
Description	Surface Outstation Type B	Surface Outstation Type B	Surface Outstation Type B
Standards	EMC: EN55103-1 & EN55103-2 LVD: EN60950 Product Family BS5839 Pt9 & BS9999 & EN60118-4		
Outstation Cables:			
Glands	20 mm	20 mm	20 mm
Cores	2 core 1 mm or 1.5 mm	2 core 1 mm or 1.5 mm	2 core 1 mm or 1.5 mm
Distance	500 m	500 m	500 m
Indications & Controls:			
Status LEDs	2 off red (flashes location lights, solid in use)		
Call	Press to call button	Press to call button	Press to call button
Cancel	Press to cancel button	Press to cancel button	Press to cancel button
Physical:			
Construction	Zintec, Powder Coated	Zintec, Powder Coated	Zintec, Powder Coated
Colour Option	Green	Red	Stainless Steel
Dimensions (H x W x D)	135 mm x 135 mm x 45 mm	135 mm x 135 mm x 45 mm	135 mm x 135 mm x 45 mm
Weight	1105g	1105g	1105g

HANDS FREE COMMUNICATIONS

Push button dialling to Compact- 9 and Network 8 system
 Echo cancellation
 Noise reduction
 Induction loop output for hearing impaired users
 Push button cancel
 Braille Signage

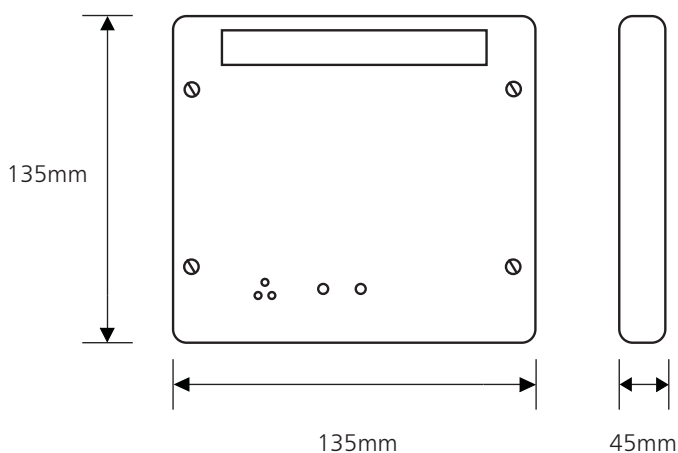
ELECTRICAL SPECIFICATION

Fully monitored connections DC open, DC Short and Earth Fault

STATUS LED

Flashing for line location
 Continuously lit to indicate call confirmation active

Dimensions



ORDER CODES

Model:	Description:
EVCS-HSB	Surface Outstation Type B, Red
EVCS-HSBG	Surface Outstation Type B, Green
EVCS-HSFSS	Surface Outstation Type B, Stainless Steel
EVCS-VCFHB	Flush Mounting Bezel Type B, Stainless Steel

Honeywell Fire Safety

Tel: +44 (0) 116 246 2000
 Fax: +44 (0) 116 246 2300
 Email: ukorders@honeywell.com
 140 Waterside Road
 Hamilton Industrial Park
 Leicester
 LE5 1TN

April 2015
 © 2015 Honeywell International Inc.

Honeywell

Fire Safety