

Emergency Voice Communication Systems (EVCS)

Roaming Handset & Jack Plate

The Roaming Handset and Jack plate are designed to provide a cost effective solution for Fire Telephones in high rise buildings.

Honeywell EVCS systems cover a wide range of building sizes providing high quality full duplex Emergency Voice Communication. For larger systems the Network 8 is ideally suited and the Roaming Handset and Jack Plate are an efficient way to provide a network Fire telephone system communication points.

The Roaming Handset is used along with the Jack Plate for Emergency Voice Communication System installations in countries whose fire codes allow for Roaming Handsets*. When used together the Roaming Handset and Jack Plate form a Type A Outstation which is compatible with all EVCS systems.

Key Features

- Flexible roaming phone
- Low noise high quality telephone jack
- Telecoil for hearing impaired users
- Full duplex operation
- Stainless steel jack plate
- The Jack Plate can be surface or flush mounted
- Full duplex operation, allowing 2 way voice communication



*These units are not suitable for installation in the UK to BS5839 Pt9

Technical Specifications

JACK PLATE SPECIFICATION

Cables:

Cores	2 core 1 mm or 1.5 mm
Distance	500 m
Monitoring 10K 1/4 w	dc open, short and earth

Physical:

Construction	Brushed Stainless Steel
Dimensions (H x W x D)	86 mm x 86 mm x 25 mm
Weight	140 g

ROAMING HANDSET SPECIFICATION

Standards EMC	EN55103-1 & EN55103-2 LVD: EN60950
---------------	------------------------------------

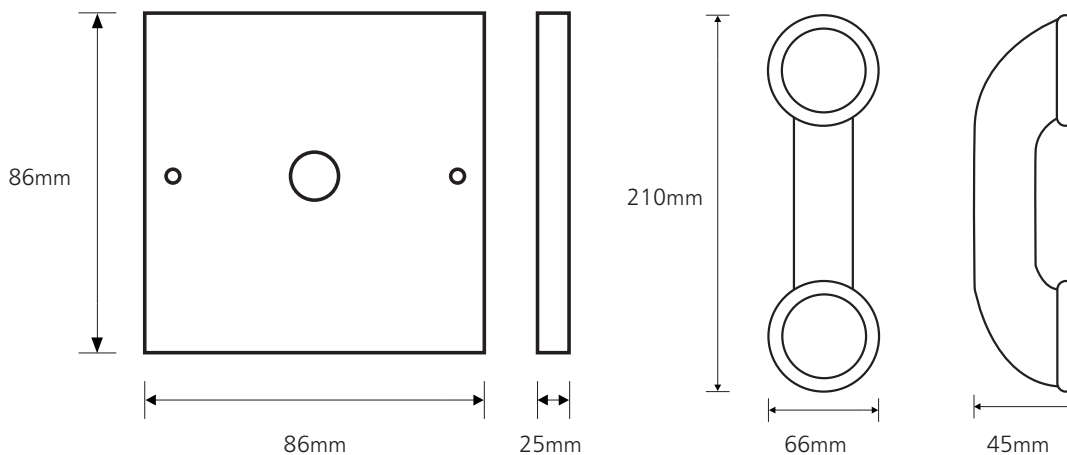
Controls:

Call	Automatic "Off Hook" dialing
Connection	
Jack	1/4" mono neutrik heavy duty

Physical:

Construction	ABS UL90V1
Dimensions (H x W x D)	210 mm x 66 mm x 45 mm
Weight	700 g

Dimensions



ORDER CODES

Model:	Description:
EVCS-HLJ	Loose Handset With Jack Lead
EVCS-WJP	Wall Jack Outlet Point

Honeywell Fire Safety

Tel: +44 (0) 116 246 2000
 Fax: +44 (0) 116 246 2300
 Email: ukorders@honeywell.com
 140 Waterside Road
 Hamilton Industrial Park
 Leicester
 LE5 1TN

April 2015
 © 2015 Honeywell International Inc.

Honeywell

Fire Safety