

Emergency Voice Communication Systems (EVCS)

Network 8 Master Handset Wall Mounted



The Emergency Voice Communications System (EVCS) is for use as a Fire Telephone system, Disabled Refuge Call system or as a combined system when both Fire Telephones and Disabled Refuge Points are required.

EVCS Network 8 is a system for larger installations. Its distributed loop architecture provides a competitive system for systems from 8 to 256 communication points as well as multiple control locations.

Designed to comply with BS5839 Part 9 2011 the EVCS is a fixed, secure, bi-directional fully-duplex voice communication system, to assist fire fighters within high rise buildings or large sites where radio communication may not be possible. Where both a fire telephone and disabled refuge system are fitted to a building BS5839 Part 9 specifies these should form a single system.

Key Features

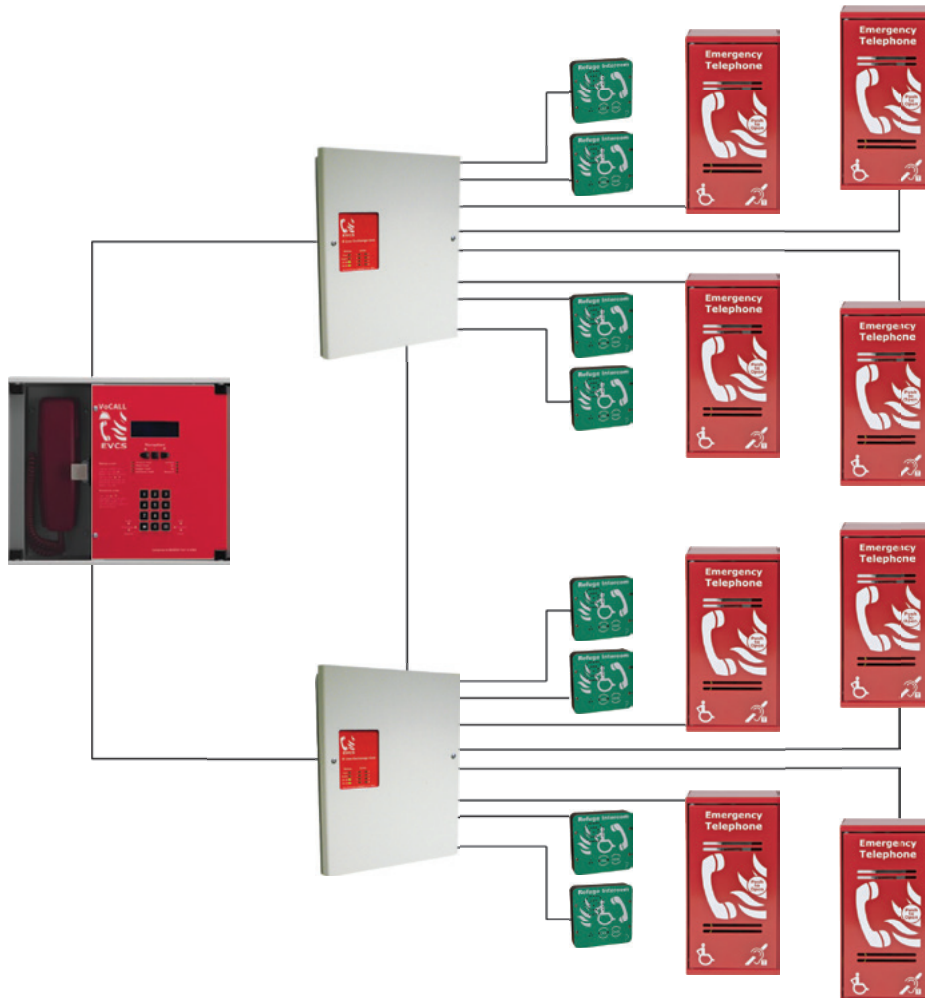
- Multiple handsets with up to 8 distributed throughout the system
- Up to 256 outstations via 32 Network Exchange units
- 4 line x 20 character backlit display
- Outstation text information held in handset directory
- May be used as combined or separate Disabled Refuge and Fire Telephone System
- Global configuration from Master Handset
- All Call feature allows easy testing and commissioning
- Remotely powered from network exchange unit
- Full duplex communications with Outstations
- Connects to Disabled Refuge, Fire Telephone and Emergency Assist Alarm devices

Typical Network 8 Emergency Voice Communication System

Honeywell

Fire Safety

The Master Handset operates as a system exchange from which calls from individual outstations may be answered or dialled direct using its reference number or selected from a calling directory stored in the unit.



EVCS Master Handset

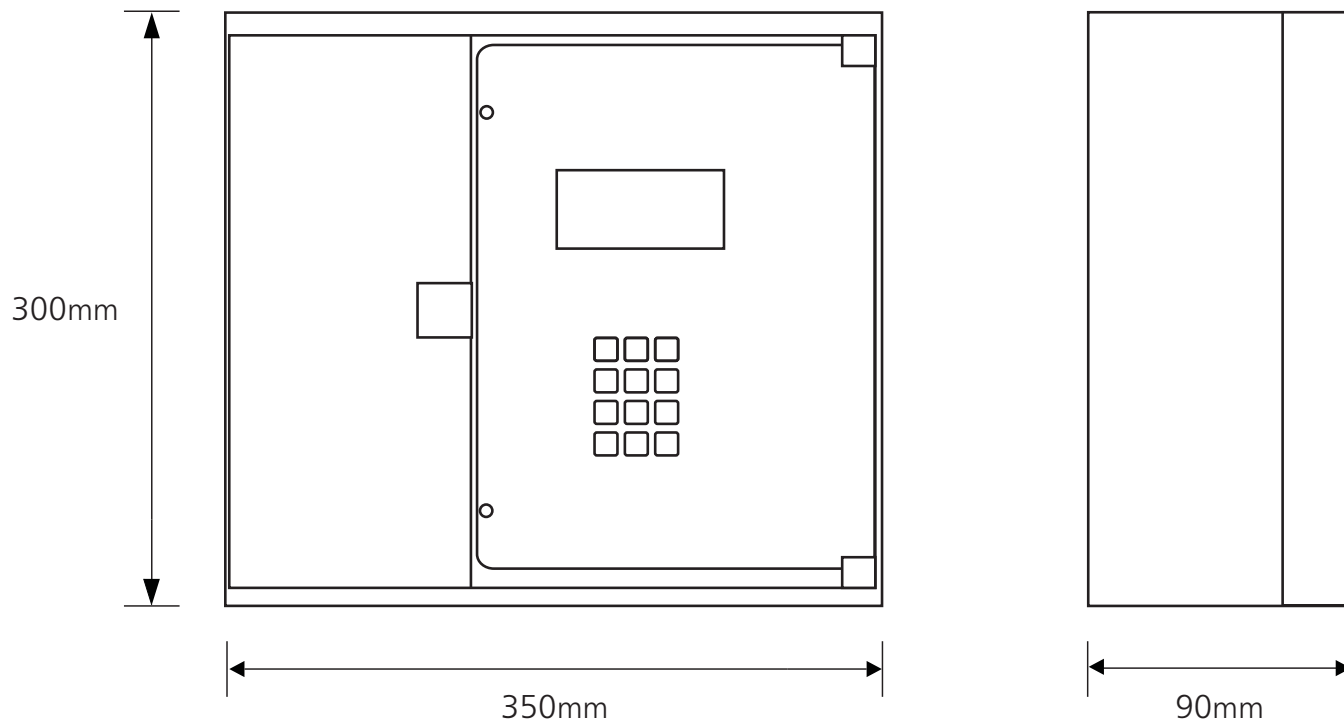
Control of EVCS is simplicity itself, the master handset has a clear, four line backlit display which shows the calling outstation name in plain text. Calls can be made to outstations by either dialling the number of the unit, or choosing the name from a text dialling directory, with conference calling possible.



Technical Specifications

MECHANICAL SPECIFICATION	
Dimensions:	
Height	300 mm
Width	350 mm
Depth	90 mm
Weight	6.5Kg
INDICATION AND CONTROLS	
Fault LEDs	4 off yellow (General, Panel, Supply & Exchange)
Status LEDs	4 off green (Healthy, AC, DC & Network)
LCD High Contrast	Blue/White LCD, four line twenty-character 5x8 pixel format
Keyboard	12 Key Telephone Style
Navigation	3 Keys (Left, Accept, Right)
Material	Zintec, Texture Powder Coated, RAL7032
NETWORK CABLES	
Type	Fire rated (some installations require enhanced
Cores	1 off four Pair or 2 off four core 1mm CSA Soft Skin or 4 off 1 Pair MICC Twisted
Distance	500M soft skin, 300M MICC
Monitoring	Data and Phantom Voltage
STANDARDS COMPLIANCE	
EMC	EN55103-1,EN55103-2
Standards	BS5839-pt9, BS9999
ELECTRICAL SPECIFICATION	
Power Supply:	
Source	Network Port x 2
Voltage	11V to 18V DC
Current	88mA @ 12V
PROCESSING	
Clock	16MHz
Memory	4K Ram 20K EEPROM 128K Flash
Monitoring	Asynchronous Watchdog
Checksum	EEPROM & Flash

Dimensions



ORDER CODES

Model:	Description:
EVCS-MSWM	Master Handset (Wall)

SYSTEM COMPONENTS

EVCS-XC	8 Way Exchange Unit/Charger, including 1 x 5Ah 12V battery
EVCS-HFP	Flush Outstation Push Door, Type A
EVCS-HSP	Surface Station Push Door, Type A
EVCS-HSB	Surface Outstation Type B, Red
EVCS-HSBG	Surface Outstation Type B, Green
EVCS-HSFSS	Surface Outstation Type B, Stainless Steel
VCFHB	Flush Mounting Bezel Type B, Stainless Steel
EVCS-HLJ	Loose Handset With Jack Lead
EVCS-WJP	Wall Jack Outlet Point
EVCS-TA	Emergency Assist Alarm Network Version – PSU not included

Honeywell Fire Safety

Tel: +44 (0) 116 246 2000
 Fax: +44 (0) 116 246 2300
 Email: ukorders@honeywell.com
 140 Waterside Road
 Hamilton Industrial Park
 Leicester
 LE5 1TN

April 2015
 © 2015 Honeywell International Inc.

Honeywell

Fire Safety

Emergency Voice Communication Systems (EVCS)

Network 8 Master Handset - Desk



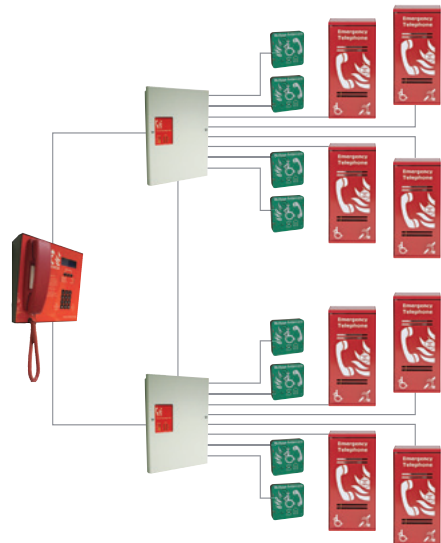
Control of EVCS is simplicity itself. The Network 8 System Master Handset allows swift identification of Outstations via its on-board directory and clear backlit display.

EVCS Network 8 is a system for larger Disabled Refuge and Emergency telephone installations. Its distributed loop architecture provides a competitive system for systems from 8 to 256 communication points as well as multiple control locations.

The Master Handset operates as a system exchange from which calls from individual outstations may be answered or dialled directly using its reference number or selected from a calling directory stored in the unit.

Key Features

- Multiple handsets with up to 8 distributed throughout the system
- Up to 256 outstations via 32 Network Exchange units
- 4 line x 20 character backlit display
- Outstation text information held in handset directory
- May be used as combined or separate Disabled Refuge and Fire Telephone System
- Global configuration from Master Handset
- All Call feature allows easy testing and commissioning
- Remotely powered from network exchange unit
- Full duplex communications with Outstations



Technical Specifications

DIMENSIONS

Height	265 mm
Width	275 mm
Depth	130 mm
Weight	1.490 kg

INDICATION AND CONTROLS

Fault LEDs	4 off yellow (General, Panel, Supply & Exchange)
Status LEDs	4 off green (Healthy, AC, DC & Network)
LCD High Contrast	Blue/White LCD, four line twenty-character 5x8 pixel format
Keyboard	12 Key Telephone Style
Navigation	3 Keys (left, Accept, right)

NETWORK CABLES

Cores	1 off four Pair or 2 off four core 1 mm CSA Soft Skin or 4 off 1 Pair MICC Twisted
Distance (per leg)	500 M soft Skin types, 300 M MICC
Distance	500 M soft Skin, 300 M MICC

STANDARDS COMPLIANCE

EMC	EN55103-1, EN55103-2
Product Family	BS5839-pt9, BS9999

ELECTRICAL SPECIFICATION

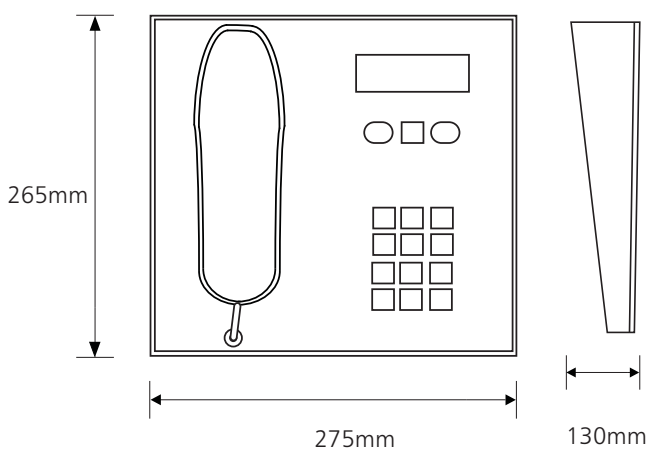
Power Supply:

Source	Network Port x2
Voltage	11V to 18V DC
Current	88mA @ 12V

PROCESSING

Clock	16MHz
Memory	4K Ram, 20K EEPROM, 20K EEPROM, 128K Flash
Monitoring	Asynchronous Watchdog
Checksum	EEPROM & Flash

Dimensions



ORDER CODES

Model:	Description:
EVCS-MS	Master Handset (Desk)

SYSTEM COMPONENTS

EVCS-XC	8 Way Exchange Unit/Charger, including 1 x 5Ah 12V battery
EVCS-HFP	Flush Outstation Push Door, Type A
EVCS-HSP	Surface Station Push Door, Type A
EVCS-HSB	Surface Outstation Type B, Red
EVCS-HSBG	Surface Outstation Type B, Green
EVCS-HSFSS	Surface Outstation Type B, Stainless Steel
VCFHB	Flush Mounting Bezel Type B, Stainless Steel
EVCS-HLJ	Loose Handset With Jack Lead
EVCS-WJP	Wall Jack Outlet Point
EVCS-TA	Emergency Assist Alarm Network Version- PSU not included

Honeywell Fire Safety

Tel: +44 (0) 116 246 2000
 Fax: +44 (0) 116 246 2300
 Email: ukorders@honeywell.com
 140 Waterside Road
 Hamilton Industrial Park
 Leicester
 LE5 1TN

April 2015
 © 2015 Honeywell International Inc.

Honeywell

Fire Safety

Emergency Voice Communication Systems (EVCS)

EVCS – Network 8 8 Line Exchange Unit

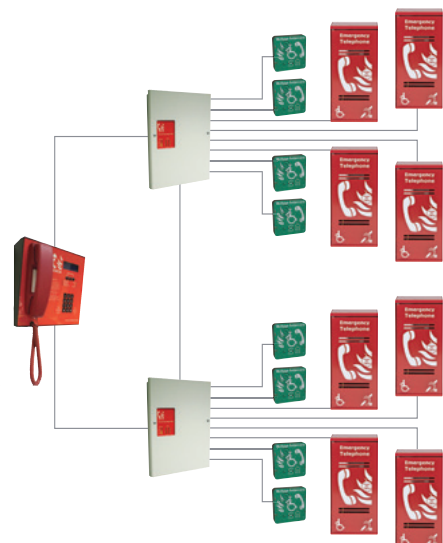
The Network Exchange Unit delivers an efficient solution to larger EVCS sites with distributed loop based architecture.

EVCS Network 8 is a system for larger Disabled Refuge and Emergency telephone installations. Its distributed loop architecture provides a competitive scalable system for up to 256 communication points.

The Network Exchange Unit provides connectivity for 8 call stations. Larger systems are achieved by adding more Exchange Units each installed locally to the area of operation delivering a secure and cost effective installation.

Key Features

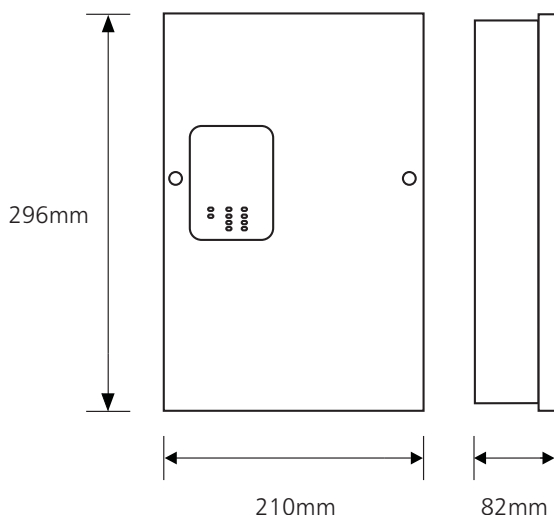
- Modular scalable system architecture for efficient installation
- Loop based network for fault resilience
- Up to 256 Outstations via 32 Network Exchange Units
- Output relay to control external equipment such as VA/PA
- Built in power supply and battery back-up
- Power supply for System Master Handsets
- Global configuration from Master Handset
- Compact wall mounted unit
- Full duplex communications with Outstations



Technical Specifications

DIMENSIONS	
Height	268 mm
Width	210 mm
Depth	82 mm
Weight	1.6 kg
INDICATION AND CONTROLS	
Fault LEDs	10 off yellow (General, PSU, 8 lines)
Status LEDs	2 off green (AC & DC)
Settings	8 way DIP switch
OUTSTATION CABLES	
Cable (per line)	1 off 2 core (twisted for MICC)
Distance (per leg)	500M soft Skin types, 300M MICC
Monitoring	DC open, short & earth
NETWORK CABLES	
Cores	1 off four Pair or 2 off four core 1 mm CSA Soft Skin or 4 off 1 Pair MICC Twisted
Distance	500 M soft Skin, 300 M MICC
STANDARDS COMPLIANCE	
EMC	EN55103-1,EN55103-2
LVD	EN61000-3-2, EN61000-3-3,EN60950
Product Family	BS5839-pt9, BS9999, EN54-4
ELECTRICAL SPECIFICATION	
Power Supply:	
Voltage	230V AC \pm 20%
Current	11mA
Battery	12V SLA 3.2AH
Charger	1A Controlled Impedance
Charger	Open, short & High impedance cell

Dimensions



ORDER CODES

Model:	Description:
EVCS-XC	8 Way Exchange Unit/Charger, including 1 x 5Ah 12V battery

SYSTEM COMPONENTS

EVCS-MS	Master Handset (Desk)
EVCS-HFP	Flush Outstation Push Door, Type A
EVCS-HSP	Surface Station Push Door, Type A
EVCS-HSB	Surface Outstation Type B, Red
EVCS-HSBG	Surface Outstation Type B, Green
EVCS-SFSS	Surface Outstation Type B, Stainless Steel
VCFHB	Flush Mounting Bezel Type B, Stainless Steel
EVCS-HLJ	Loose Handset With Jack Lead
EVCS-WJP	Wall Jack Outlet Point
EVCS-TA	Emergency Assist Alarm Network Version- PSU not included

Honeywell Fire Safety

Tel: +44 (0) 116 246 2000
 Fax: +44 (0) 116 246 2300
 Email: ukorders@honeywell.com
 140 Waterside Road
 Hamilton Industrial Park
 Leicester
 LE5 1TN

April 2015
 © 2015 Honeywell International Inc.

Honeywell

Fire Safety